



manufactured fun

PARAGON

OWNER'S MANUAL

FOR PROFESSIONAL MACHINE CARTS



Model Numbers

SMALL CARTS
3080010 (Red)
3080020 (Black)
3080030 (Sno-Cones)
3080310 (Budweiser®)

MEDIUM CARTS
3070010 (Red)
3070020 (Black)
3050010 (Sno-Cones)
3070310 (Budweiser®)
Machine Carts

LARGE CARTS
3090010 (Red)

www.manufacturedfun.com

Paragon International, Inc • 731 W. 18th Street • P.O. Box 560 • Nevada, IA 50201 USA
Phone (515) 382-8000 • Toll-free (800) 433-0333 • Fax (515) 382-8001 • Email: info@manufacturedfun.com

SAFETY PRECAUTIONS

Paragon values your continued safety above all else. Please follow these guidelines when using your equipment to prevent injury and maximize product performance:



All equipment is designed and sold for commercial use only. Equipment is not to be used by the general public or intended for home use. No direct contact to equipment by the general public should be allowed when used in food service locations. Only trained personnel should operate this equipment.

Carefully read any and all instructions before beginning operation of the equipment.

Any alterations made to equipment by anyone other than certified Paragon personnel will void warranty and may also create unsafe working conditions. **NEVER** make alterations to the equipment.

INTRODUCTION

PARAGON IS PROUD TO BE YOUR PARTNER FOR MANUFACTURED FUN.

Our goal is to provide you with the best solutions to attract customers, expand your business, and improve your profits. That's why this product has been specially-crafted to meet precise specifications for performance, efficiency, and output.

Your Paragon Cart features:

- Chip resistant coating for long-lasting, attractive finish.
- Bright, colorful graphics for bringing in sales.
- Sturdy construction that withstands heavy commercial use.
- Convenient storage area for quick storage and retrieval of supplies.
- Large, spoked wheels for easy mobility.
- Collapsible construction that makes it simple to store or take on the road.

Should you have any questions about your equipment, or would like to know more about our other innovative concession equipment and supplies, please contact us at 1-800-433-0333.

UNPACKING

Paragon carefully inspects each product during assembly and after completion to adhere to strict quality guidelines, and packs it securely to ensure safe delivery to each of our customers. Be sure to carefully remove all packing material and adhesive before any operation. Please examine your product to guarantee all equipment has arrived, complete and in good condition.

If you believe that any damage may have occurred during shipment or parts may be missing, please contact Paragon immediately for replacement.

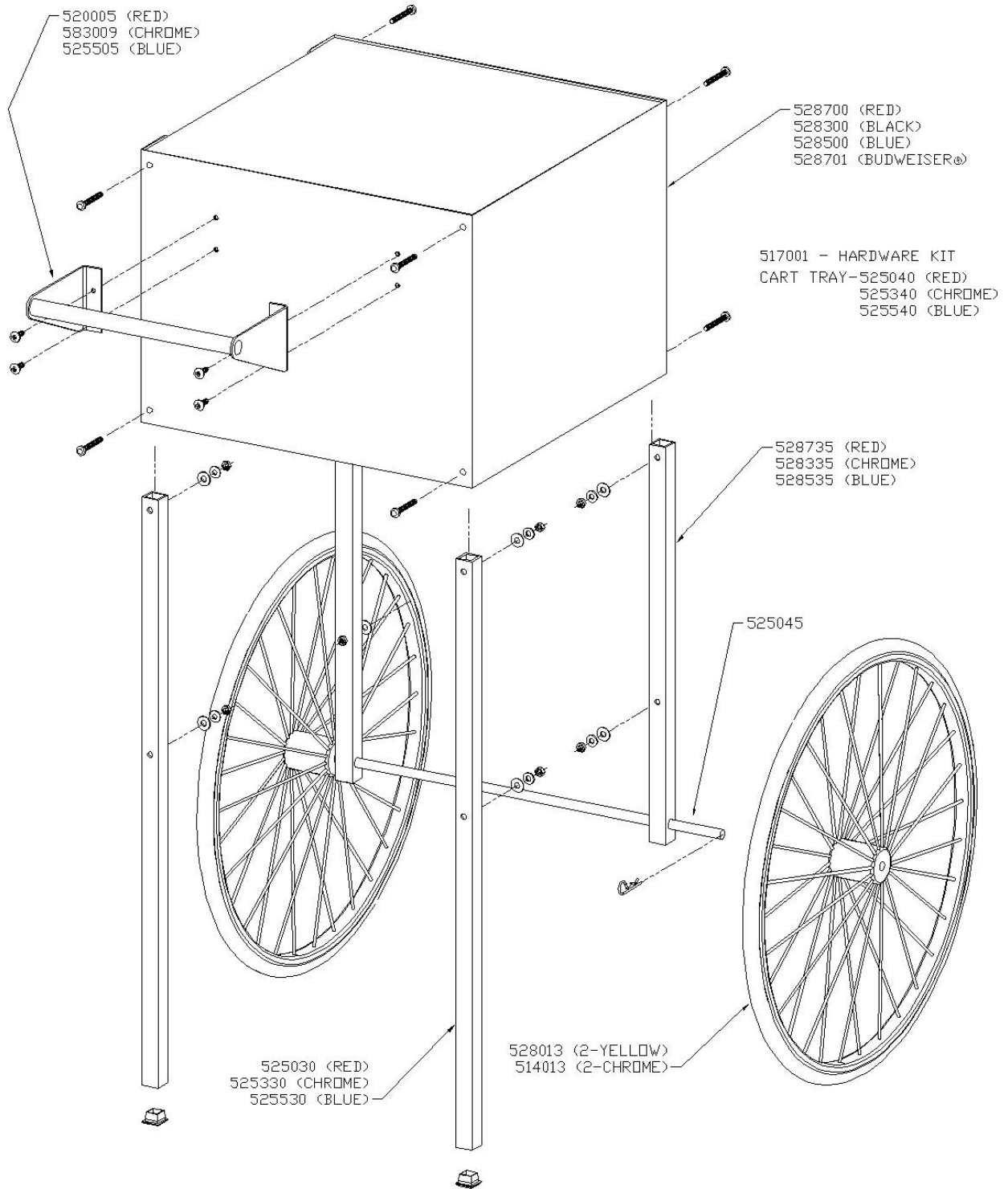
Thank you for your purchase and enjoy!

ASSEMBLY INSTRUCTIONS

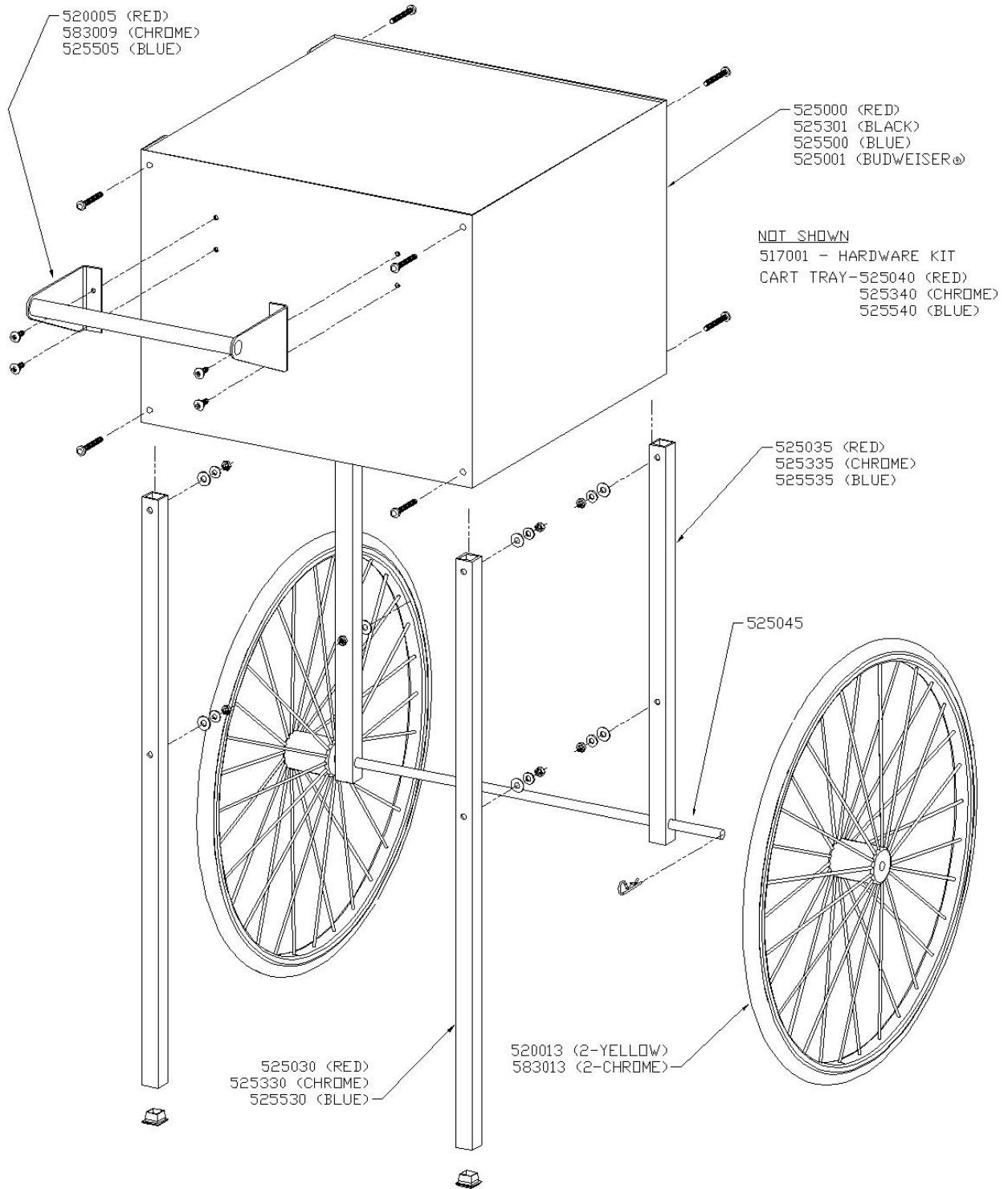
CART

1. Attach Handle to the cart body using four 1/4" - 20 x 3/4" bolts, flat washers, lock washers and hex nuts.
2. Turn assembly over on its top.
3. Install Long Legs to the same side of the cart body that the handle is attached to using four 1/4" - 20 x 2" Screws, flat washers, lock washers, and hex nuts.
4. Press End Caps into the protruding end of legs.
5. Attach Short legs to the opposite side of the cart body that the handle is attached to using four 1/4" - 20 x 2" Screws, flat washers, lock washers, and hex nuts.
6. Slide axle rod through the holes in the Short Legs.
7. Slide a wheel over the axle rod on the outside of Short Legs. Put a Clip Pin through the holes on each end to secure the wheels to the axle.
8. Turn assembly the correct side up and position the Cart Tray over the side of the cart body opposite of the handle.

SMALL CART ASSEMBLY



MEDIUM CART ASSEMBLY



LARGE POPCORN CART ASSEMBLY

