

Serving Station

Instruction Manual

Model 5030







 **GOLD MEDAL**®



FUNFOOD EQUIPMENT & SUPPLIES

Cincinnati, OH 45241-4807 USA



Safety Precautions



	 DANGER
	<p>Improper installation, adjustment, alteration, service, or maintenance can cause property damage, injury, or death. Any alterations to this equipment will void the warranty and may cause a dangerous condition. NEVER make alterations to this equipment. Read the Installation, Operating, and Maintenance Instructions thoroughly before installing, servicing, or operating this equipment.</p> <p style="text-align: right; font-size: small;">014_051514</p>

	 WARNING
	<p>ALWAYS wear safety glasses when servicing this equipment.</p> <p style="text-align: right; font-size: small;">010_010914</p>

	 WARNING
	<p>No user serviceable parts inside. Refer servicing to qualified service personnel.</p> <p style="text-align: right; font-size: small;">011_051514</p>

	 WARNING
	<p>Read and understand operator's manual and all other safety instructions before using this equipment. To order copies of the operator's manual go to gmpopcorn.com or write to Gold Medal Products Co., 10700 Medallion Drive, Cincinnati, OH 45241 USA 1-(800)-543-0862</p> <p style="text-align: right; font-size: small;">022_010914</p>

	 WARNING
	<p>DO NOT allow direct contact of this equipment by the public when used in food service locations. Only personnel trained and experienced in the equipment operation may operate this equipment. Carefully read all instructions before operation.</p> <p style="text-align: right; font-size: small;">012_010914</p>

	 WARNING
	<p>This machine is NOT to be operated by minors.</p> <p style="text-align: right; font-size: small;">007_010914</p>

Note: Improvements are always being made to Gold Medal's equipment. This information may not be the latest available for your purposes. It is critical that you call Gold Medal's Technical Service Department at 1-800-543-0862 for any questions about your machine operations, replacement parts, or any service questions. (Gold Medal Products Co. does not assume any liability for injury due to careless handling and/or reckless operation of this equipment.)

Inspection of Shipment

After unpacking, check thoroughly for any damage which may have occurred in transit. Claims should be filed immediately with the transportation company. The warranty does not cover damage that occurs in transit, or damage caused by abuse, or consequential damage due to the operation of this machine, since it is beyond our control (reference warranty in back of manual).

Manual

Read and understand the operator's manual and all other safety instructions before using this equipment. To order copies of the operator's manual go to gmpopcorn.com or write to Gold Medal Products Co., 10700 Medallion Drive, Cincinnati, OH 45241 USA 1-(800)-543-0862.

Setup

This unit has been tested at the factory. Remove all packaging and tape prior to operation.

CARE AND CLEANING

Cleaning your machine daily. A clean well-kept machine is one of the best ways of advertising your products.

Use a mild soap and damp cloth to clean the exterior of the unit.

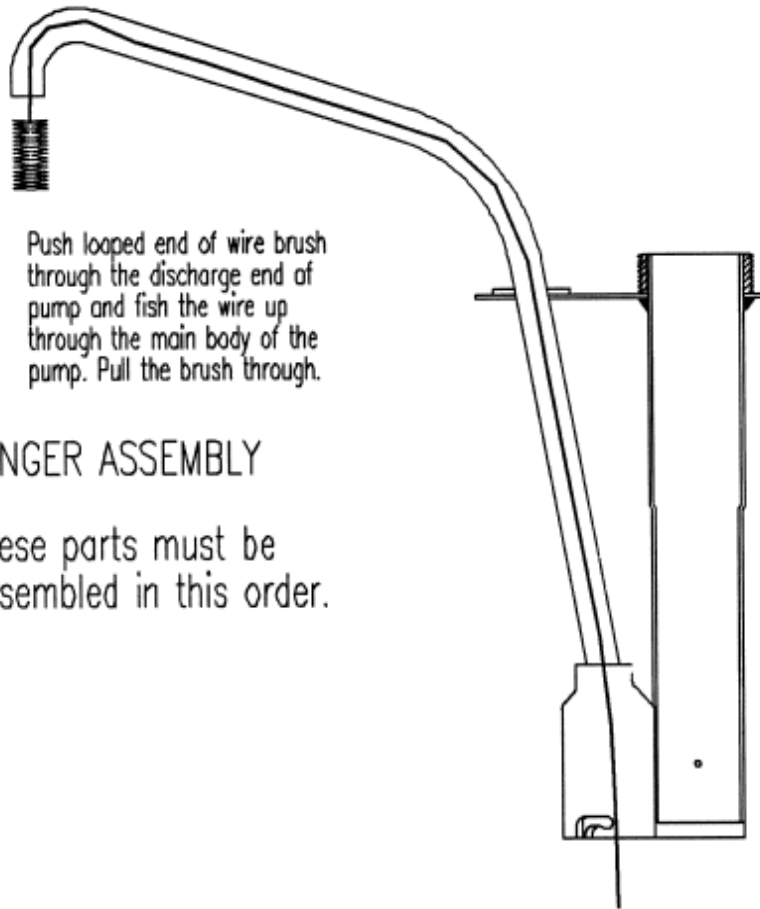
All utensils and insert bowls should be cleaned with a sanitizing solution to help prevent contamination from microorganisms.

Recommended cleaning procedure for main pump body.

1. Raise the pump assembly and lid out of the water tank. Operate pump to remove remainder of cheese.
2. Place lower end of pump assembly in a bucket containing a mixture of hot water and liquid dish detergent. Operate pump until cheese product is expelled and water flows from discharge tube (approximately 10 pumps) “ DO NOT RECIRCULATE DIRTY WATER TO BUCKET!”
3. Disassemble lid from pump assembly by loosening locking collar. You will now have the plunger, pump body and lid separate. Wash lid and all exterior surfaces of pump. Remove retaining pin from bottom of pump body to remove checkball. Use supplied tube brushes to clean pump body and discharge tube. NOTE: So as not to lose small parts, wash them in bucket filled with detergent water, not in a sink.
4. Push the spring stop disc toward the knob and hold plunger rod; loosen knob counter-clockwise. Disassemble plunger assembly in order to wash all components.
5. Rinse all parts with clean hot water.
6. Using a bucket, sanitize all parts with sanitizing solution.

PUMP PLUNGER ASSEMBLY

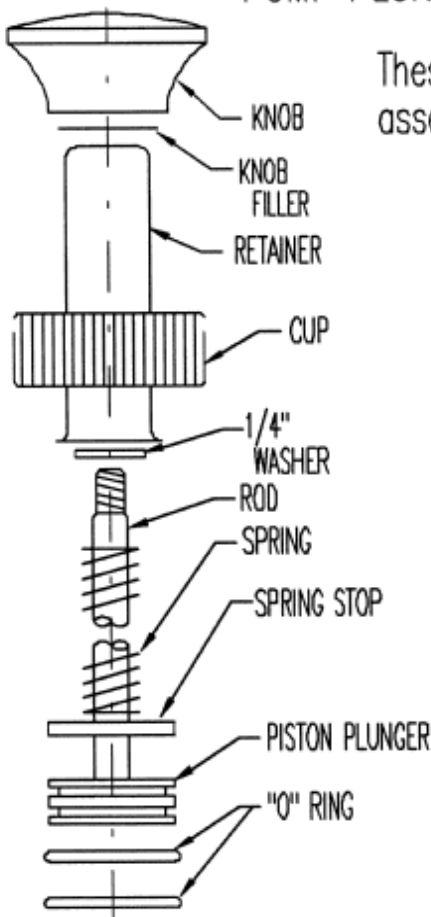
HOW TO USE SMALL
TUBE BRUSH



Push looped end of wire brush through the discharge end of pump and fish the wire up through the main body of the pump. Pull the brush through.

PUMP PLUNGER ASSEMBLY

These parts must be assembled in this order.



The first time the pump is used after cleaning the pump will need primed. Push down on the pump to bottom of stroke and hold. Hold a napkin over end of spout with your finger and release the pump. The pump is now ready to use.

Do not leave out any parts of the pump, they are all important. The pump may not operate correctly with missing parts.

ORDERING SPARE PARTS

1. Identify the needed part by checking it against the photos, illustrations, and/or parts list.
2. Use only approved replacement parts when servicing this unit.
3. When ordering, please include part number, part name, and quantity needed.
4. Please include your model number, serial number, and date of manufacture (located on the machine nameplate/data plate) with your order.
5. Address all parts orders to:

Parts Department
Gold Medal Products Co.
10700 Medallion Drive
Cincinnati, Ohio 45241-4807

Or, place orders by phone or online:

Phone: (800) 543-0862
(513) 769-7676

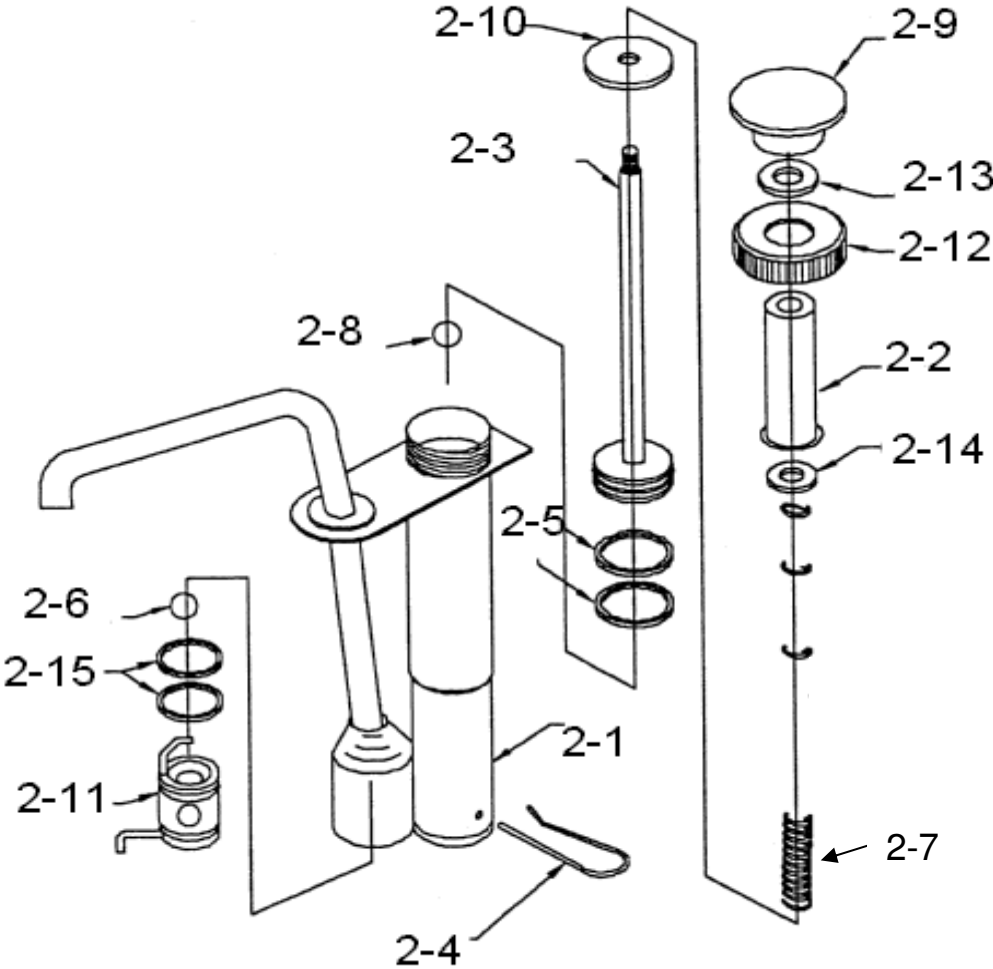
Fax: (800) 542-1496
(513) 769-8500

E-mail: info@gmpopcorn.com

Web Page: gmpopcorn.com

PARTS LIST- PUMP ASSEMBLY

Item No.#	Part NO.#	Description
2-1	38364	Pump Weld Assembly
2-2	38238	Plunger Retainer
2-3	38600	Piston Assembly
2-4	38241	Retaining Pin
2-5	82765	"O" Ring
2-6	38250	Check Ball
2-7	38249	Plunger Spring
2-8	38250	Check Ball
2-9	38262	Knob
2-10	38263	Spring Stop
2-11	38601	Plug Assembly
2-12	38265	Retainer Cup
2-13	38280	Knob Filler Washer
2-14	87261	Washer, SAE 1/4"
2-15	82766	"O" Ring



WARRANTY

Gold Medal Products Co. warrants to the original purchaser each item of its manufacture to be free of defects in workmanship and material under normal use and service. Gold Medal Products Co.'s obligation under this warranty is limited solely to repairing or replacing parts, f.o.b. Cincinnati, Ohio, which in its judgment are defective in workmanship or material and which are returned, freight prepaid, to its Cincinnati, Ohio factory or other designated point. Except for "Perishable Parts" on specific machines, the above warranty applies for a period of two (2) years from the date of original sale to the original purchaser of equipment when recommended operating instructions and maintenance procedures have been followed. These are packed with the machine. Parts warranty is two (2) years, labor is six (6) months.

THIS WARRANTY IS IN LIEU OF ALL OTHER WARRANTIES EXPRESSED OR IMPLIED, AND OF ALL OTHER OBLIGATIONS OR LIABILITIES ON OUR PART, INCLUDING THE IMPLIED WARRANTY OF MERCHANTABILITY. THERE ARE NO WARRANTIES WHICH EXTEND BEYOND THE DESCRIPTION ON THE FACE HEREOF. In no event shall Gold Medal Products Co. be liable for special, incidental or consequential damages. No claim under this warranty will be honored if the equipment covered has been misused, neglected, damaged in transit, or has been tampered with or changed in any way. No claim under this warranty shall be honored in the event that components in the unit at the time of the claim were not supplied or approved by Gold Medal Products Co. This warranty is effective only when electrical items have been properly attached to city utility lines only at proper voltages. This warranty is not transferable without the written consent of Gold Medal Products Co.

The term "Original Purchaser" as used in this warranty shall be deemed to mean that person, firm, association, or corporation who was billed by the GOLD MEDAL PRODUCTS CO., or their authorized distributor for the equipment.

THIS WARRANTY HAS NO EFFECT AND IS VOID UNLESS THE ORIGINAL PURCHASER FIRST CALLS GOLD MEDAL PRODUCTS CO. AT 1-800-543-0862 TO DISCUSS WITH OUR SERVICE REPRESENTATIVE THE EQUIPMENT PROBLEM, AND, IF NECESSARY, FOR INSTRUCTIONS CONCERNING THE REPAIR OR REPLACEMENT OF PARTS.

NOTE: This equipment is manufactured and sold for commercial use only.



10700 Medallion Drive, Cincinnati, Ohio 45241-4807 USA

gmpopcorn.com

Phone: (800) 543-0862 Fax: (800) 542-1496
 (513) 769-7676 (513) 769-8500