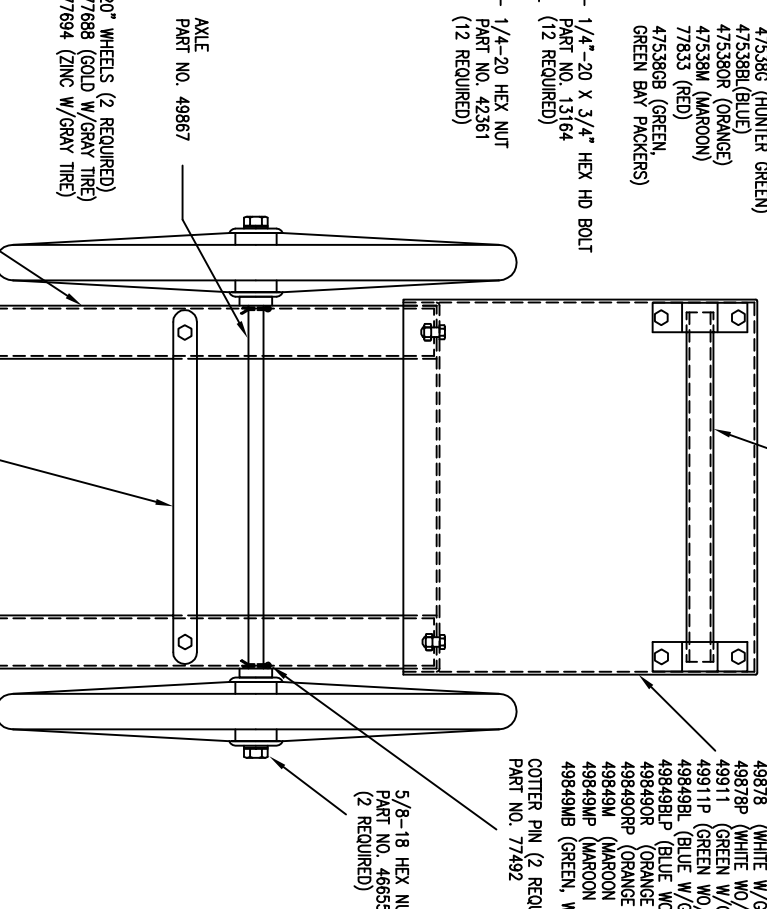
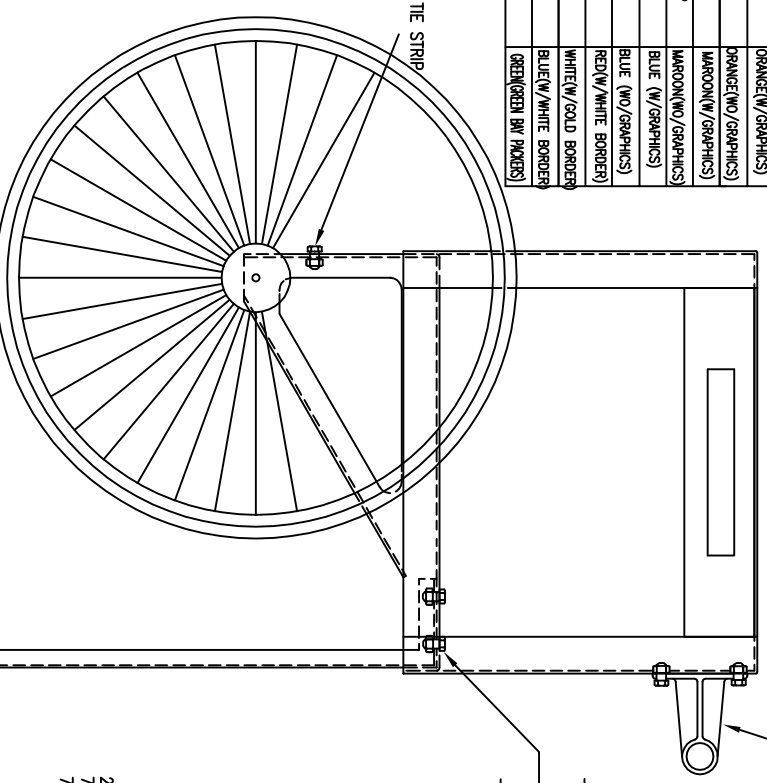


ASSEMBLY INSTRUCTIONS FOR 2659 CARTS

- TURN BASE UPSIDE DOWN
- USING A SHARP KNIFE OR FILE CLEAN PAINT FROM INSIDE AXLE HOLE BEFORE INSTALLING AXLE WITH COTTER PINS.
- FASTEN LEGS TO BASE ASSEMBLY USING BOLTS AND NUTS PROVIDED.
- DO NOT TIGHTEN THE NUTS SECURELY AT THIS TIME.
- PLACE A WHEEL ON EACH END OF AXLE. USE 5/8-18 NUT TO HOLD WHEEL ON TO AXLE.
- BOLT ONE LEG TIE STRIP TO AXLE SUPPORT BRACKETS WITH BOLTS AND NUTS.
- TURN CART RIGHT SIDE UP.
- TURN CART RIGHT SIDE UP. INSTALL HANDLE BAR AND HANDLE BAR BRACKETS WITH BOLTS AND NUTS.

MODEL NUMBER	CART COLOR
2659CR	RED (W/GRAPHICS)
2659CRP	RED (WO/GRAPHICS)
2659CW	WHITE (W/GRAPHICS)
2659CWP	WHITE (WO/GRAPHICS)
2659HG	GREEN (W/GRAPHICS)
2659HGP	GREEN (WO/GRAPHICS)
2659CO	ORANGE(W/GRAPHICS)
2659COP	ORANGE(WO/GRAPHICS)
2659CM	MAROON(W/GRAPHICS)
2659CMP	MAROON(WO/GRAPHICS)
2659BL	BLUE (W/GRAPHICS)
2659BLP	BLUE (WO/GRAPHICS)
2659AR	RED/W/WHITE BORDER
2659AW	WHITE/W/GOLD BORDER
2659AB	BLUE/W/WHITE BORDER
2659GB	GREEN/GREEN BR PACKERS



GOLD MEDAL PRODUCTS
 10700 MEDALLION DRIVE
 CINCINNATI, OHIO 45241
 WWW.GMPPOPCORN.COM

DWG: C-11937
 REV: 7/2003