



OWNERS MANUAL
FOR PROFESSIONAL POPCORN MACHINE

MODEL:

STREET VENDOR - 6

6 ounce popcorn machine - 120 volt

PART NUMBER:

11060

INCLUDED:

OPERATING INSTRUCTIONS

SCHEMATICS

WIRING DIAGRAMS

PARTS LIST

WARRANTY INFORMATION

OPERATING INSTRUCTIONS

1. Remove the top cover of the popper by taking out the four screws located in each corner. Place the decorative cornice on either the front or back of the canopy and secure using the supplied three washers and nuts. Replace the top cover.
2. Plug the machine into a properly grounded 120 volt power supply.
3. Install a 50 watt or smaller light bulb in the socket in the chassis (not necessary for operation). For best results use a 50 watt R20 mini flood bulb.
4. Turn on the “MASTER” switch and the interior lamp will come on and the warming element in the base will be activated.
5. Turn on the “KETTLE” switch and the heat to the kettle and the agitating motor will be activated. Wait approximately 5 minutes to allow the kettle to get up to operating temperature.
6. Place 3/4 cup of raw popcorn kernels, 1/4 cup of cooking oil and 1 teaspoon of seasoning salt into the kettle and lower the kettle lid. (*use Benchmark USA part # 42004 – Popcorn measure kit*)
7. Allow the corn to pop until the popping ceases (3 seconds between pops) then dump the kettle by turning the handle clock-wise and pulling downward.
8. For additional batches repeat steps 5 & 6. It will not be necessary to wait 5 minutes since the kettle will already be up to operating temperature.
9. After popping the final batch, turn off the “KETTLE” switch and with a damp cloth wipe any excess oil from the inside and outside of the kettle to prevent burned on oil stains. Use caution as the kettle will be HOT!
10. If you leave the “MASTER” switch in the on position, the warming element in the base will keep any popped corn fresh and warm. The interior lamp will remain on as well and serve as a reminder that the popper is on.

KETTLE CARE

CAUTION: NEVER SUBMERGE THE KETTLE IN ANY LIQUID! IT WILL SHORT OUT THE ELECTRONIC COMPONENTS INSIDE OF IT AND VOID THE WARRANTY!

1. Always turn off the “KETTLE” switch after popping the final batch of a session. Leaving it on will burn any residue oil that is left in the kettle.
2. For routine cleaning: After popping the final batch of a session, use a damp cloth to wipe the excess oil from the interior and exterior of the kettle.
3. Benchmark USA kettles are anodized to create an easy cleaning, non-stick surface. However, if excess oil is not removed it will eventually carbonize on the surface. For heavily built-up carbon removal it is recommended to use (*Benchmark USA part # 43001 – kettle cleaning kit*).

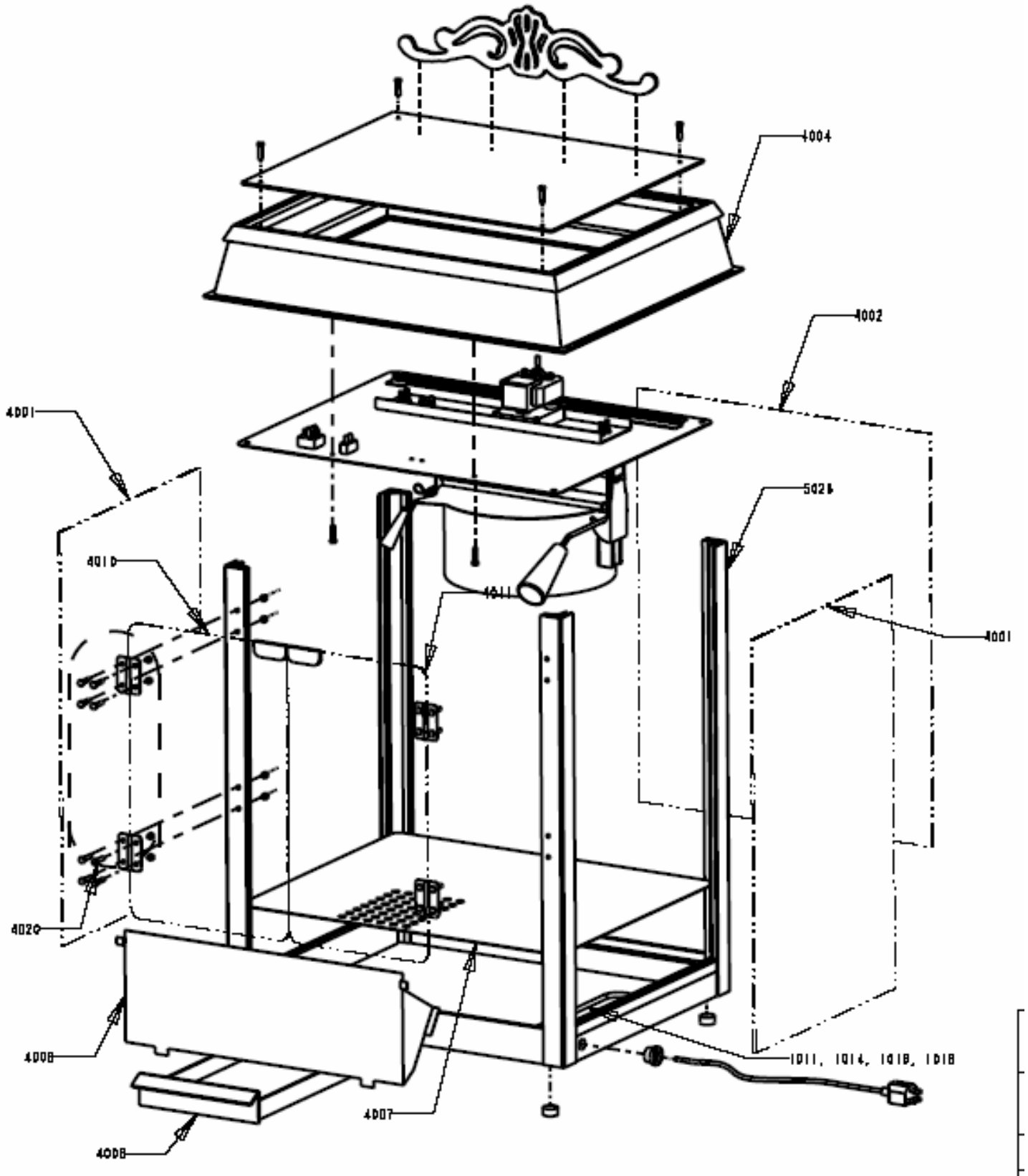
CABINET CARE

Always unplug the machine from the power supply before cleaning!

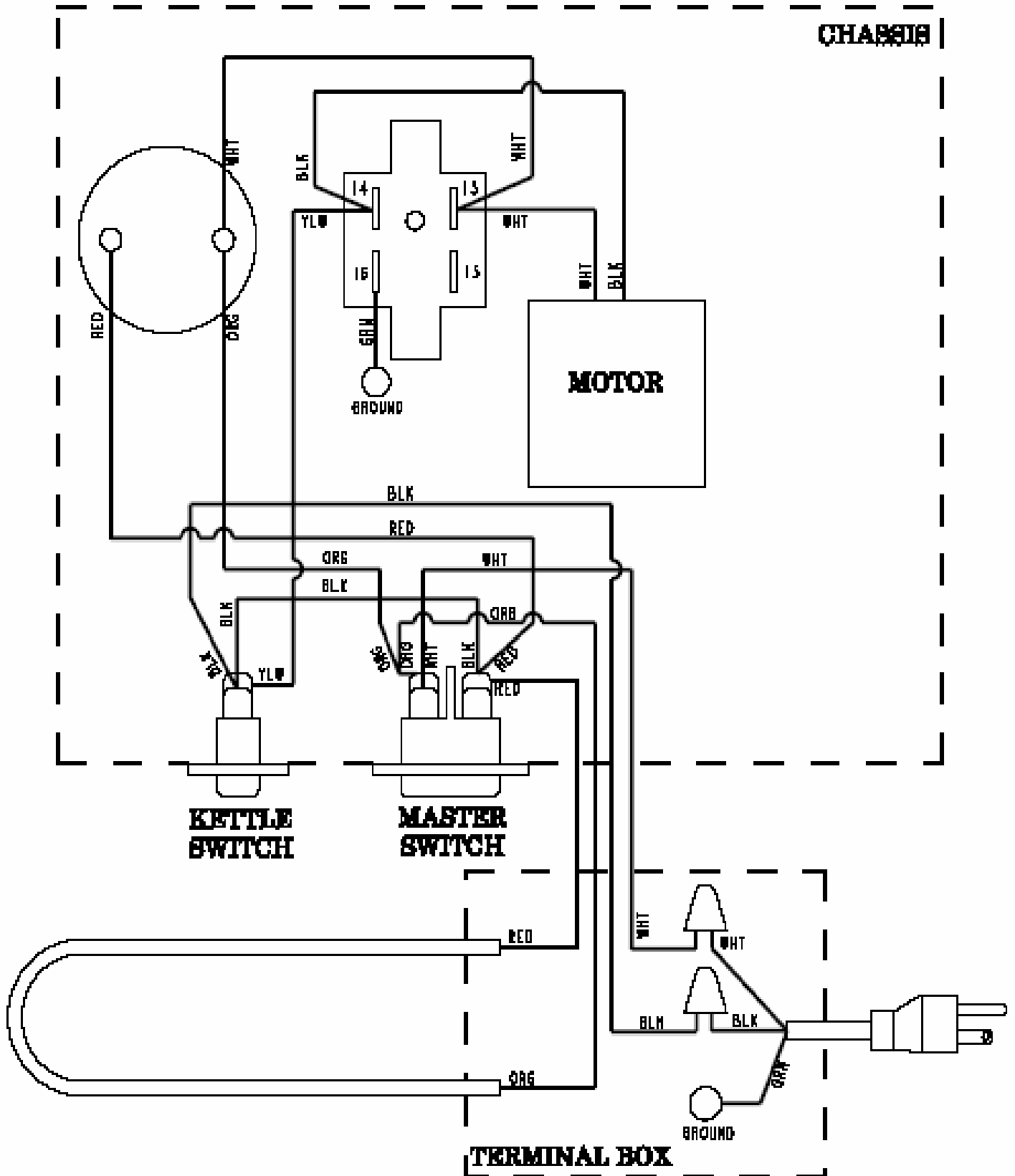
1. The Stainless steel bottom tray, old-maid drawer and drop door are removeable for easy cleaning in a sink or dishwasher. Use a mild detergent and water.
2. Use a standard glass cleaner for the glass panels and corner posts.

POPPER ASSEMBLY

(complete parts list on page 7)

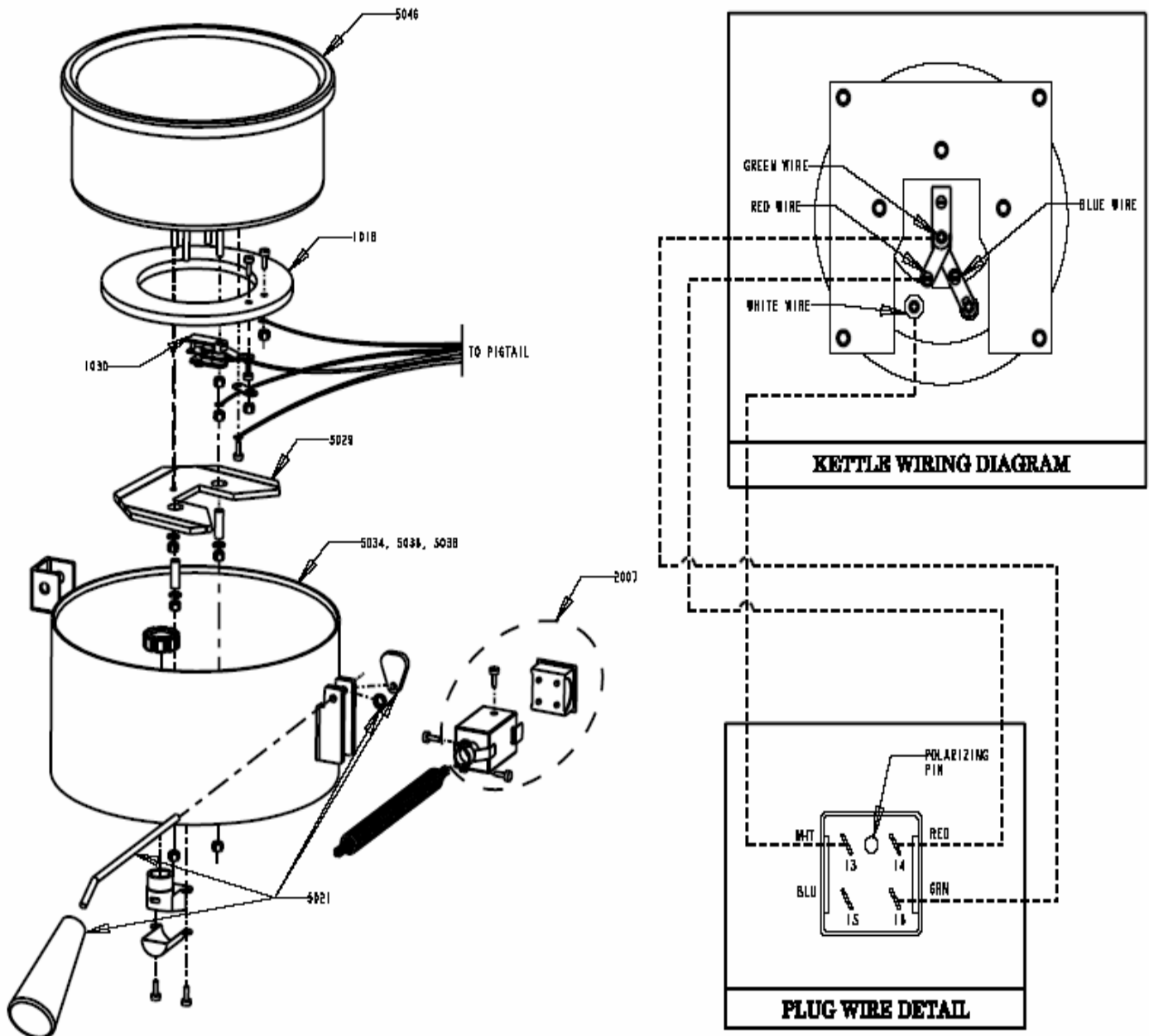


WIRING DIAGRAM



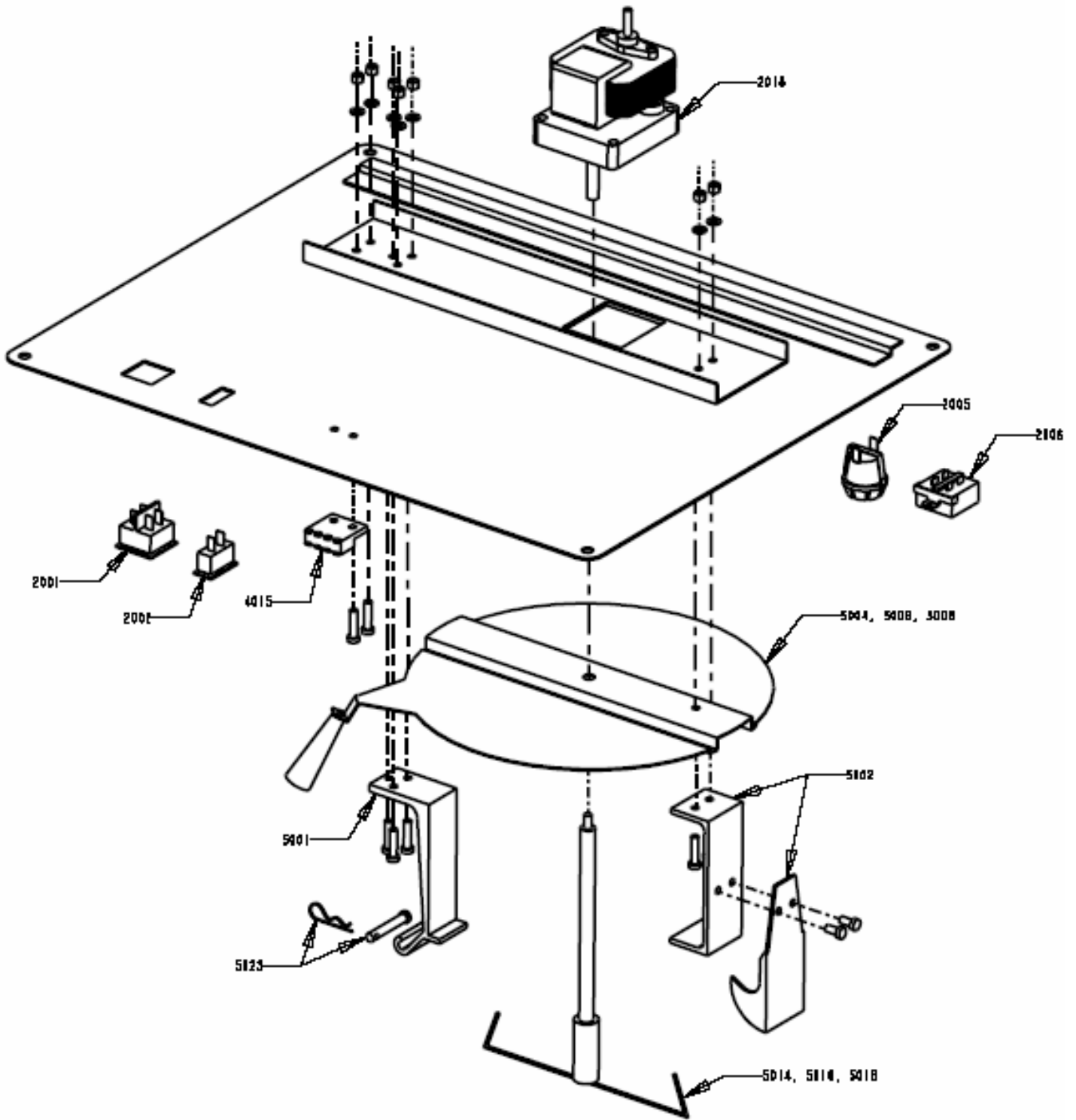
6 OUNCE KETTLE ASSEMBLY

(complete parts list on page 7)



CHASSIS ASSEMBLY

(complete parts list on page 7)



PARTS LIST

P/N	Description
0014	4 ounce kettle -120 volt
0024	4 ounce kettle -240 volt
0016	6 ounce kettle -120 volt
0026	6 ounce kettle -240 volt
0018	8 ounce kettle -120 volt
0028	8 ounce kettle -240 volt
1001	Popper Assembly
1002	Chassis Assembly
1004	Wiring Diagram
1011	50w Warmer element -120 volt
1012	Warmer clamp
1021	50w warmer element -240 volt
1014	800w kettle element -120 volt
1024	800w kettle element -240 volt
1016	1000w kettle element -120 volt
1026	1000w kettle element -240 volt
1018	1250w kettle element -120 volt
1028	1250w kettle element -240 volt
1039	Thermostat
2001	Power switch
2002	Kettle switch
2005	Lamp socket
2006	Kettle socket
2007	Kettle plug
2008	Kettle pigtail w/plug
2009	Power cord w/plug
2018	120 volt (50/60 hz) gearmotor
2028	240 volt (50/60 hz) gearmotor
3002	Cart handle
3003	Cart wheel
3004	Cart wheel clips
3005	Cart axle
3006	Cart leg - short
3007	Cart leg - long
3008	Cart shelf
3009	Cart body
3010	Cart hardware kit

P/N	Description
4001	Side glass
4002	Front glass
4003	Glass channel set
4004	Black canopy top
4005	Decorative cornice
4006	Drawer
4007	Stainless product tray
4008	Stainless drop door
4010	Left door
4011	Right door
4012	Door handle
4015	Door magnet
4020	Door hinge set
4033	Base - complete
4035	Terminal box cover
5001	Left kettle hanger
5002	Right kettle hanger assembly
5003	Lamp Guard
5004	4 ounce kettle lid
5006	6 ounce kettle lid
5008	8 ounce kettle lid
5014	4 ounce kettle stirrer
5016	6 ounce kettle stirrer
5018	8 ounce kettle stirrer
5021	Kettle handle complete
5022	Kettle handle spring
5023	Kettle hinge-pin/clip
5025	Kettle lid magnet
5026	Corner Post
5029	Heater Clamp
5030	Chassis
5034	4 oz. Kettle jacket
5036	6 oz. Kettle jacket
5038	8 oz. Kettle jacket
5044	4 oz. kettle inner
5046	6 oz. kettle inner
5048	8 oz. kettle inner

To Order Parts Contact:

Benchmark USA, Inc.

P.O. Box 5053

Ames, IA 50010 USA

Tel: 515-232-5500

Fax: 515-232-5505

Email: parts@benchmarkusainc.com



Three Year Warranty

THE WARRANTY:

Benchmark USA warrants the original purchaser of new food equipment manufactured by Benchmark USA to be free from defects in material or workmanship from the date of the original purchase for a period of three years.

WHO IS COVERED BY THIS WARRANTY:

The original purchaser who has provided proper proof of the original retail purchase and all other requested information.

WHAT IS WARRANTIED:

The obligation of Benchmark USA under this warranty is limited to the replacement of any parts or components that in the opinion of Benchmark USA are defective, F.O.B. the factory, or at any other location that Benchmark USA may designate.

WHAT VOIDS THE WARRANTY:

1. Any piece of equipment that has been installed, operated or maintained inconsistently with Benchmark USA operating instructions.
2. Any part or component that has been modified, changed or altered from its original configuration.
3. Any electrical component that has been damaged due to submergence in any liquid.
4. Any part or component that has been subject to abuse, misuse, neglect or accidents.

EXTENT OF WARRANTY:

Any defective component, part or assembly returned to Benchmark USA will be replaced by Benchmark USA. Benchmark USA will not be responsible for any expenses incurred by the customer under the terms of this warranty, nor shall it be responsible for any damages either consequential, special, contingent, or otherwise; or expenses or injury arising directly or indirectly from the use of a Benchmark USA product. Any component, part or assembly returned to Benchmark USA must be returned at the customers expense along with proof of purchase. Benchmark USA reserves the right to determine whether the terms of this warranty have been properly complied with. In the event that the terms are not complied with, Benchmark USA shall be under no obligation to honor this warranty.