



# **OWNERS MANUAL**

**FOR POPCORN MACHINE PEDESTAL BASE**

**MODEL:**

**PEDESTAL BASE**

Fits 4 or 6 ounce Metropolitan Poppers

**PART NUMBER:**

**30050**






**INCLUDED:**

**PARTS LIST**

**ASSEMBLY INSTRUCTION**

**WARRANTY INFORMATION**

## PARTS LIST

Part #	Description	Quantity
1	Top shelf (has four holes on surface)	1 piece
2	Middle shelf (has square hole for magnet)	1 piece
3	Bottom shelf (has brackets for casters)	1 piece
4	Left side panel (has holes for hinge attachment in wider lip)	1 piece
5	Right side panel	1 piece
6	Front panel with decal	1 piece
7	Door	1 piece
8	Hinge	3 sets
9	Handle	1 piece
10	Casters	4 sets
11	M5 X 6mm Sheet metal screws 	38 pieces
12	Handle support plate	1 piece
13	Magnet	1 piece
14	M4 X 10mm Screws 	12 pieces
15	M4 X 8mm Screws 	2 pieces
16	M4 X 10mm Screws 	4 pieces
17	M4 Nut 	4 pieces

### To order Parts Contact:

**Benchmark USA, Inc.**

P.O. Box 475

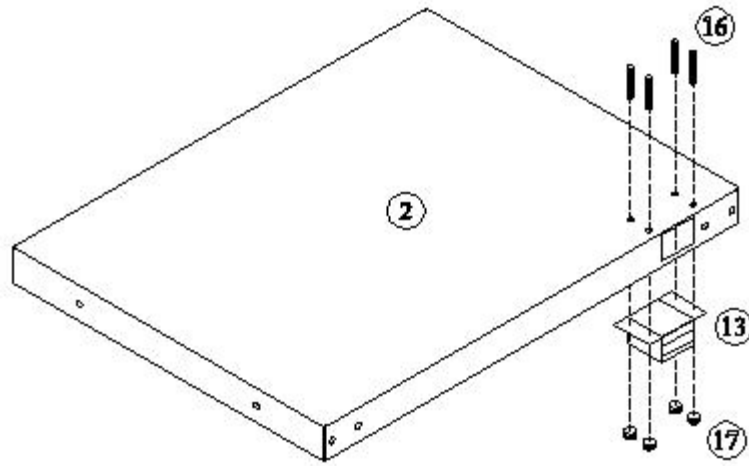
Ames, IA 50010 USA

Tel: 515-232-5500

Fax: 515-232-5505

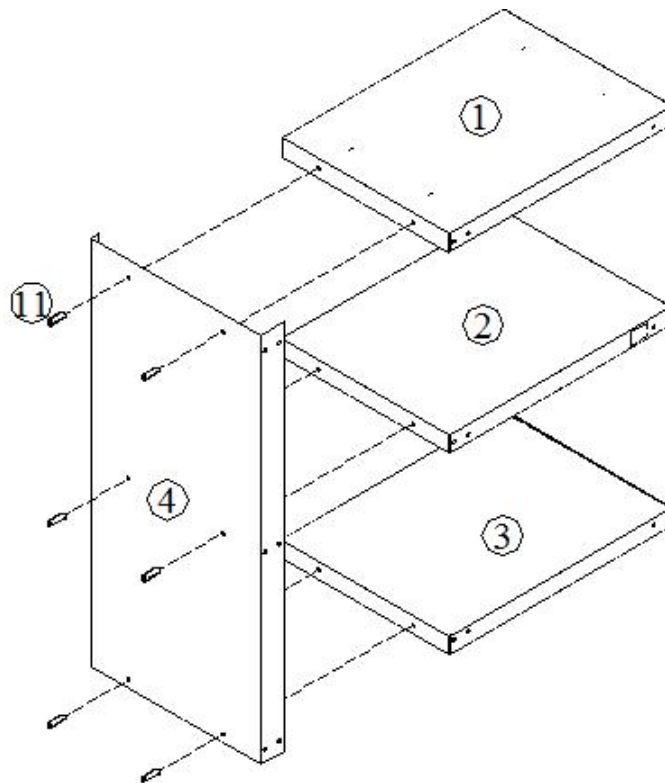
Email: [parts@benchmarkusainc.com](mailto:parts@benchmarkusainc.com)

**Pedestal Assembly**



*Figure 1*

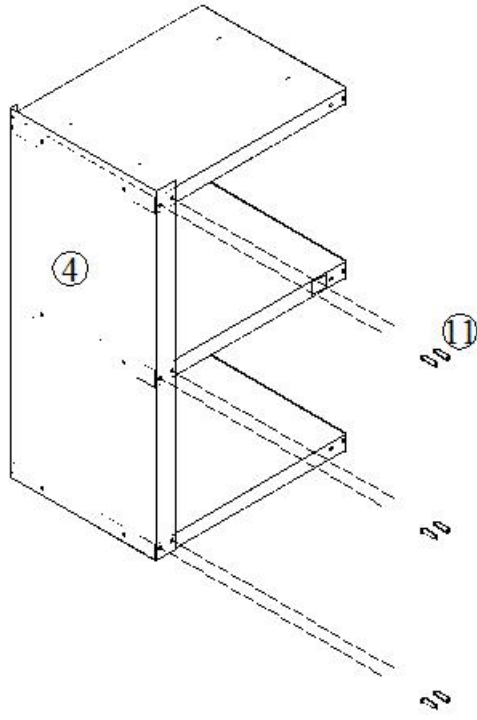
Attach the magnet (13) to middle shelf (2) with 4 pieces screws (16) and nut (17). As shown in Figure 1



*Figure 2*

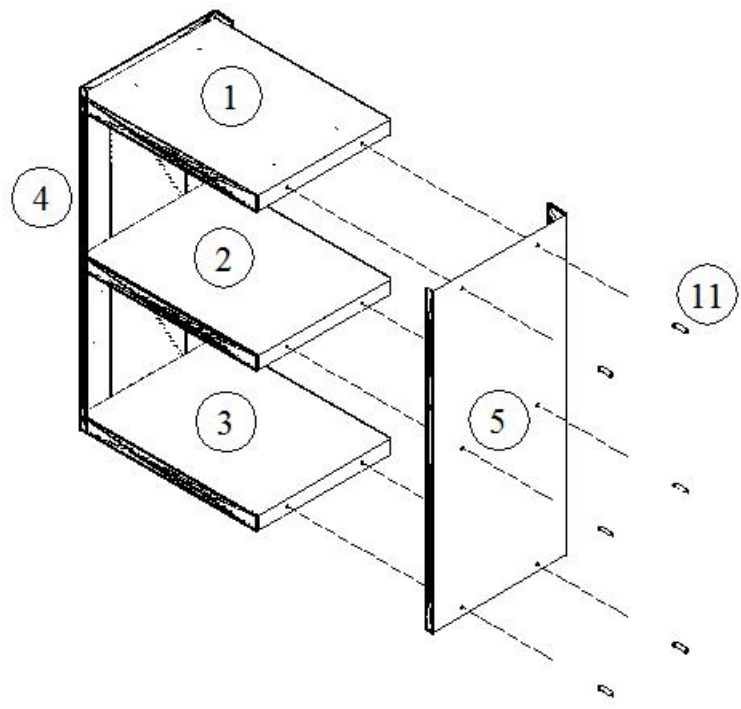
Assemble the pedestal by attaching the left side panel (4) to the top shelf (1), middle shelf (2) and bottom shelf (3) using the 6 pieces of enclosed sheet metal screws (11). As shown in Figure 2

DO NOT TIGHTEN THE SCREWS UNTIL FULLY ASSEMBLED



**Figure 3**

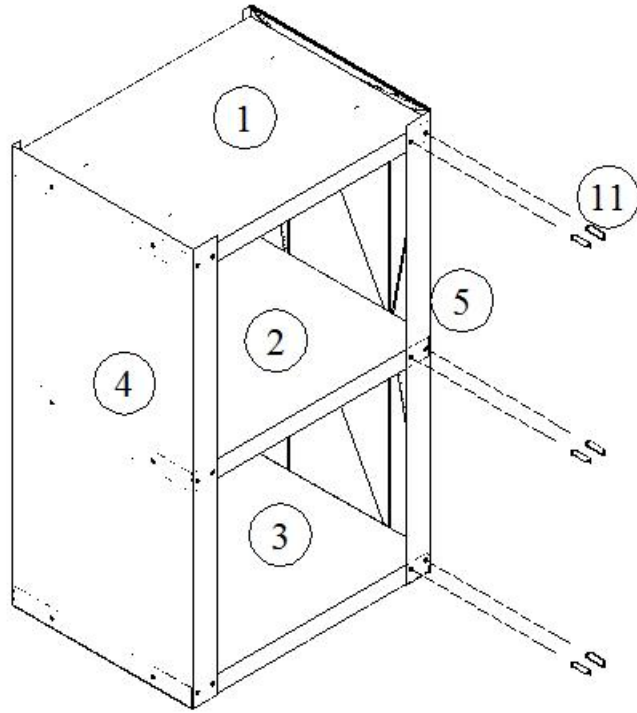
Attach another 6 sheet metal screws (11) for front portion of left side panel (4). As shown in Figure 3



**Figure 4**

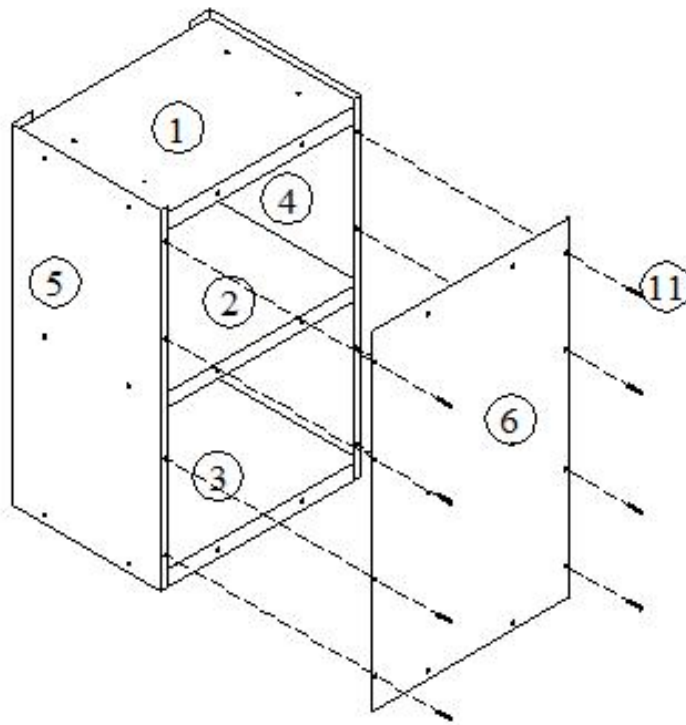
Attach the right side panel (5) to the top shelf (1), middle shelf (2) and bottom shelf (3) using another 6 of the enclosed sheet metal screws (11). As shown in Figure 4.

DO NOT TIGHTEN THE SCREWS UNTIL FULLY ASSEMBLED



**Figure 5**

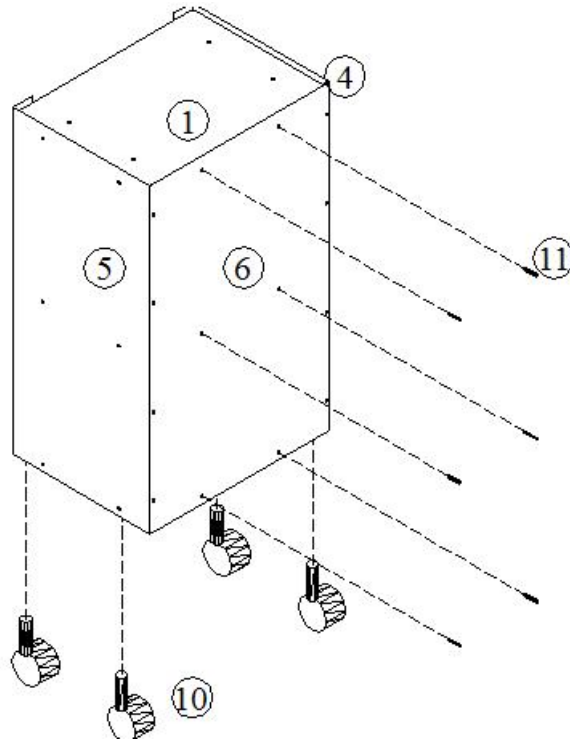
Attach 6 sheet metal screws (11) for front portion of right side panel (5). As shown in Figure 5



**Figure 6**

Attach the back panel (6) with 8 sheet metal screws (11) in the outside holes only. As shown in Figure 6.

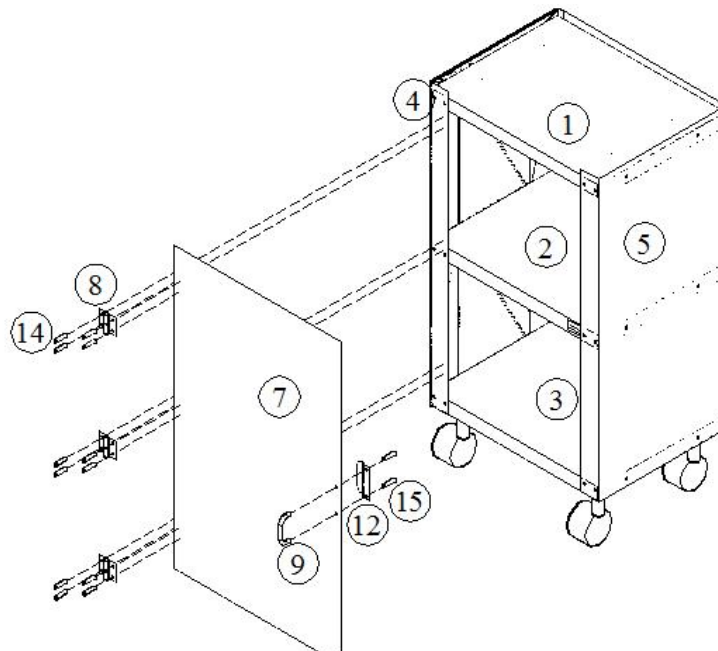
DO NOT TIGHTEN THE SCREWS UNTIL FULLY ASSEMBLED



**Figure 7**

Install the final 6 sheet metal screws (11) through the back panel (6) into the three shelves.

Adjust the casters to the pedestal (10) by turning them clockwise to reduce their height and counter clockwise to increase the height. These adjustable feet will compensate for any irregularities in the surface you are putting it on. As shown in Figure 7.



**Figure 8**

Attach the handle (9) to door (7) with handle support plate (12) and screws (15).

Attach 3 sets of hinge (8) to door (7) and left side panel (4) with screws (14).

DO NOT TIGHTEN THE SCREWS UNTIL FULLY ASSEMBLED



## *Three Year Warranty*

### **THE WARRANTY:**

Benchmark USA warrants the original purchaser of new food equipment manufactured by Benchmark USA to be free from defects in material or workmanship from the date of the original purchase for a period of three years.

### **WHO IS COVERED BY THIS WARRANTY:**

The original purchaser who has provided proper proof of the original retail purchase and all other requested information.

### **WHAT IS WARRANTIED:**

The obligation of Benchmark USA under this warranty is limited to the replacement of any parts or components that in the opinion of Benchmark USA are defective, F.O.B. the factory, or at any other location that Benchmark USA may designate.

### **WHAT VOIDS THE WARRANTY:**

1. Any piece of equipment that has been installed, operated or maintained inconsistently with Benchmark USA operating instructions.
2. Any part or component that has been modified, changed or altered from its original configuration.
3. Any electrical component that has been damaged due to submergence in any liquid.
4. Any part or component that has been subject to abuse, misuse, neglect or accidents.

### **EXTENT OF WARRANTY:**

Any defective component, part or assembly returned to Benchmark USA will be replaced by Benchmark USA. Benchmark USA will not be responsible for any expenses incurred by the customer under the terms of this warranty, nor shall it be responsible for any damages either consequential, special, contingent, or otherwise; or expenses or injury arising directly or indirectly from the use of a Benchmark USA product. Any component, part or assembly returned to Benchmark USA must be returned at the customers expense along with proof of purchase. Benchmark USA reserves the right to determine whether the terms of this warranty have been properly complied with. In the event that the terms are not complied with, Benchmark USA shall be under no obligation to honor this warranty.