



OWNERS MANUAL

FOR POPCORN MACHINE TROLLEY

MODEL:

STREET VENDOR TROLLEY

Fits 4, 6 or 8 ounce Street Vendor Poppers

PART NUMBER:

30010

INCLUDED:

OPERATING INSTRUCTIONS

SCHEMATICS

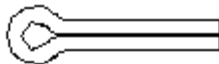
PARTS LIST

WARRANTY INFORMATION

PARTS LIST

Item	Quantity	Description
A	1	Bottom Shelf
B	1	Top Shelf-Four holes in shelf to allow for popper attachment
C	1	Right Side Panel (shelf side)
D	1	Front Panel
E	1	Left Side Panel (handle side)-notch in top potion to allow for powder cord
F	1	Side Shelf/ top (assemble F,V,W with four machine screws)
G	1	Handle- attaches with four 1/2" bolts and nuts
H	1	Long/ front leg (note that the side with 3 small holes goes to the front)
I	1	Long/ rear leg
J	1	Short/ front leg (note that the side with 2 small holes goes to the front)
K	1	Short/ rear leg
L	1	Axle
M	2	Wheel
N	2	Axle Pin
O	2	End-cap
P	30	Machine Screw
Q	4	1/4" x 1/2" Bolt
R	8	1/4" x 1-1/2" Bolt
S	12	1/4" Nut
T	4	Carriage Bolt (attaches the popper to trolley)
U	4	Wing-nut (for use on the carriage bolt)
V	1	Side Shelf/ left (assemble F,V,W with four machine screws)
W	1	Side Shelf/ right (assemble F,V,W with four machine screws)

Item N



Axle Pin (2)

Item P



Machine Screw (30)

Item Q



1/4" x 1/2" Bolt (4)

Item R



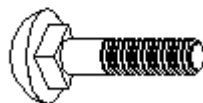
1/4" x 1-1/2" Bolt (8)

Item S



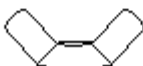
1/4" Nut (12)

Item T



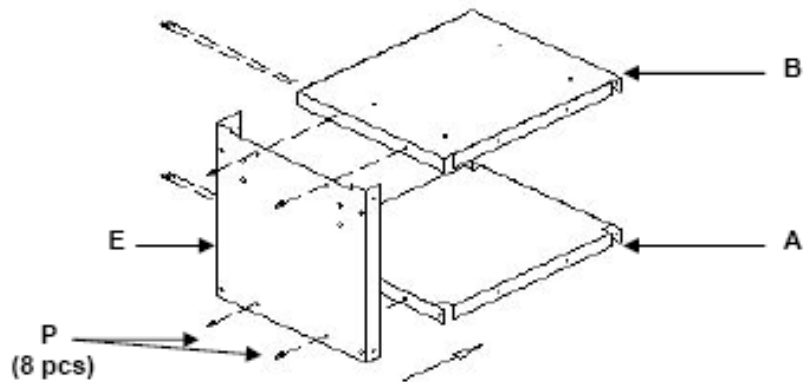
Carriage Bolt (4)

Item U



Wing-Nut (4)

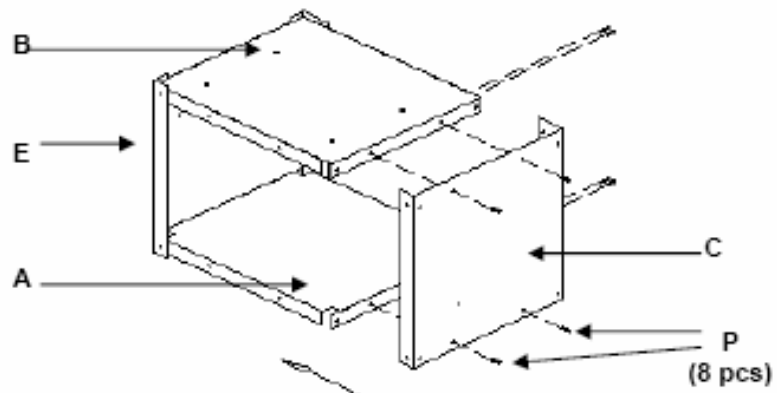
1



Assembly Instruction

1. Place bottom shelf (A) on a flat surface and attach side panels (E) using 4 machine screws (P).
2. Position top shelf (B) and attach side panel (E) using 4 machine screws (P).

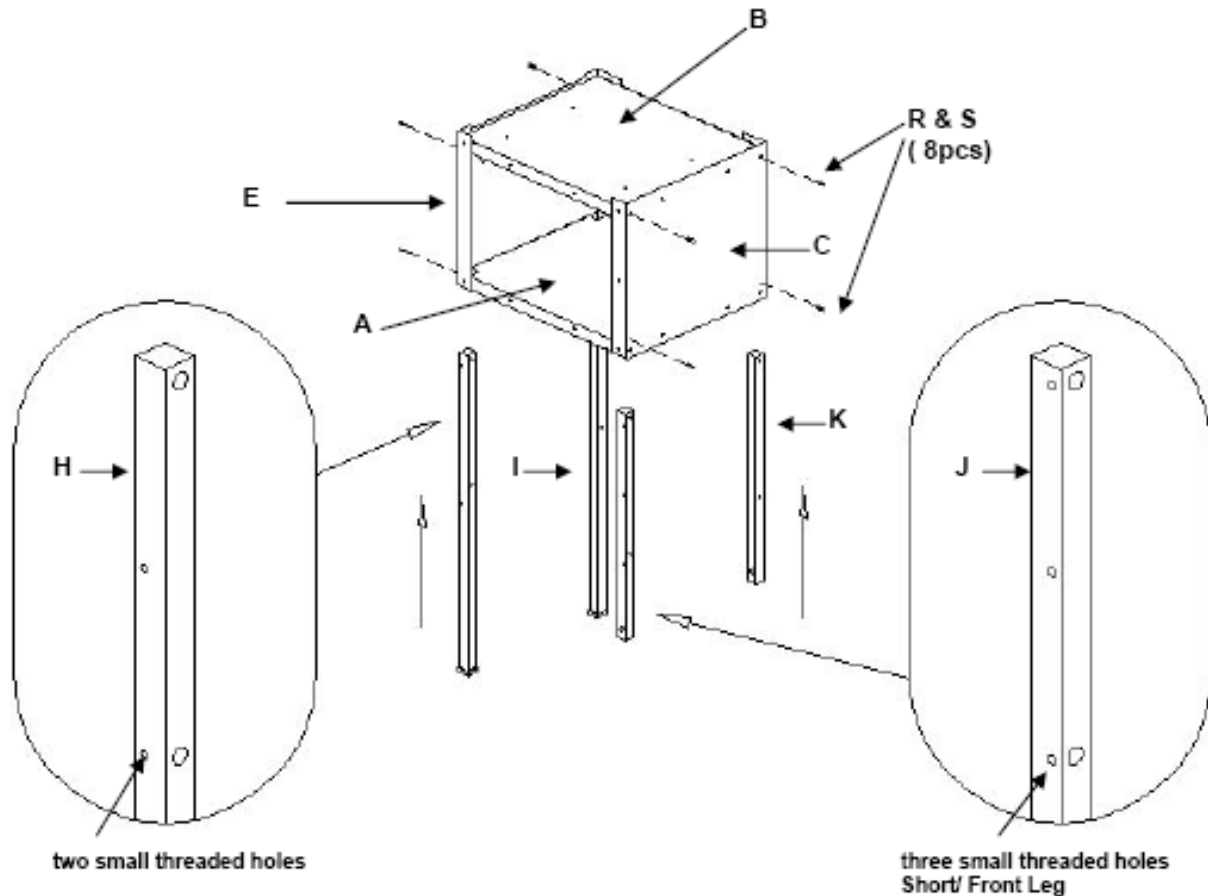
2



Assembly Instruction

1. Position bottom shelf (A) and attach side panels (C) using 4 machine screws (P).
2. Position top shelf (B) and attach side panel (C) using 4 machine screws (P).

DO NOT TIGHTEN THE SCREW UNTIL FULLY ASSEMBLE

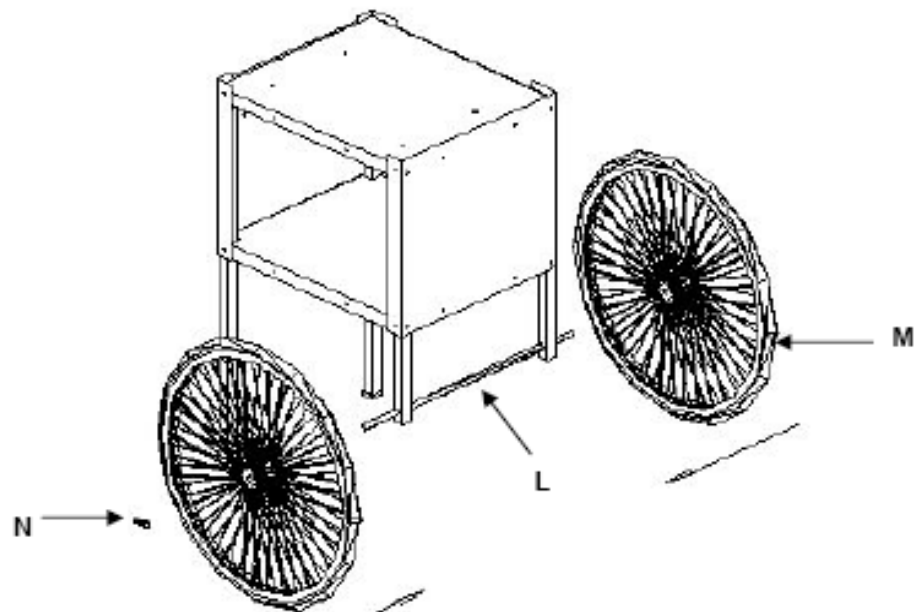


Assembly Instruction

1. Slide long/ front leg (H) into the open slot on the bottom shelf (A). Make sure the two small threaded holes in the leg are towards the front. Using 2 of the $\frac{1}{4}$ " x $1 - \frac{1}{2}$ " bolts (R) and $\frac{1}{4}$ " nuts (S) attach the leg to the cart body.
2. Slide the long/ rear leg (I) into the open slot on the bottom shelf (A) and attach using 2 of the $\frac{1}{4}$ " x $1 - \frac{1}{2}$ " bolts (R) and nuts (S).
3. Slide the short/ front leg (J) into the open slot on the bottom shelf (A). Make sure the three small threaded holes in the leg are towards the front. Using 2 of the $\frac{1}{4}$ " x $1 - \frac{1}{2}$ " bolts (R) and $\frac{1}{4}$ " nuts (S) attach the leg to the cart body.
4. Slide the short/ rear leg (K) into the open slot on the bottom shelf (A) and attach using 2 of the $\frac{1}{4}$ " x $1 - \frac{1}{2}$ " bolts (R) and nuts (S).

DO NOT TIGHTEN THE SCREW UNTIL FULLY ASSEMBLE

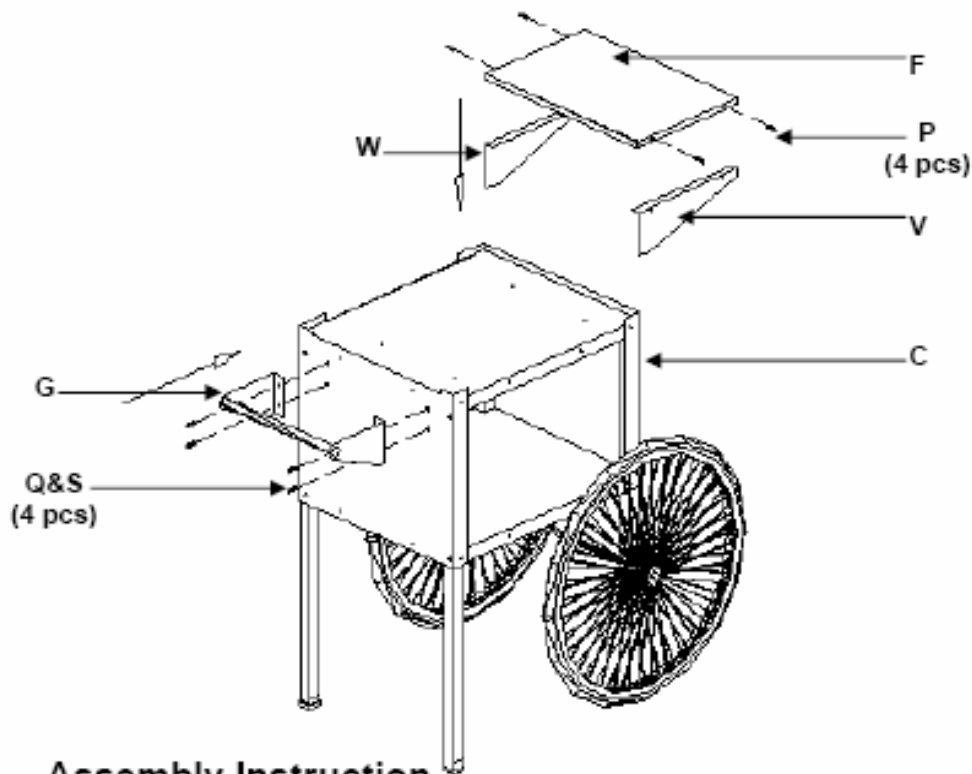
4



Assembly Instruction

1. Place the cart upside-down and slide the axle (L) through the holes on the short legs leaving an equal amount extending on each side.
2. Slide a wheel (M) over each end of the axle.
3. Place an axle pin (N) through the holes in each end of axle and bend one arm of the pin back to prevent it from falling out.

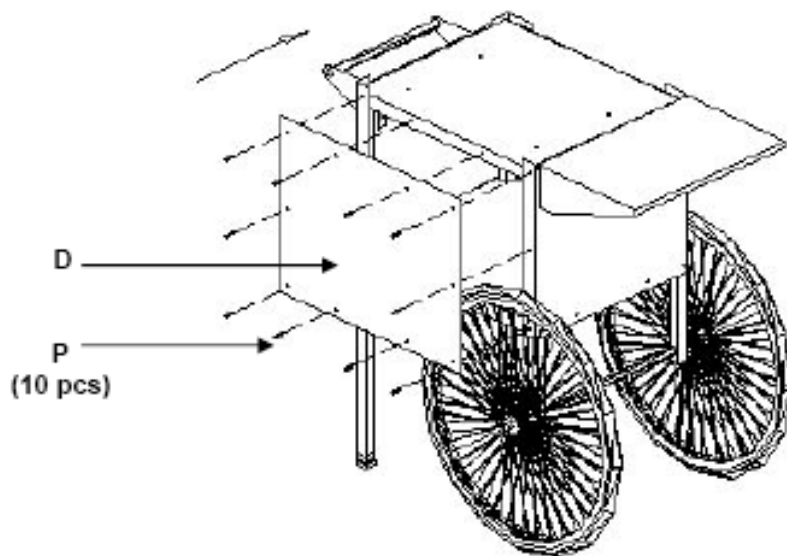
5



Assembly Instruction

1. Assemble side shelf top (F), side shelf left (V), side shelf right (W) with 4 machine screw (P)
2. Place the finished assembly upright and slide the shelf (F) over the lip of side panel (C). Note: No hardware is necessary to attach the shelf.
3. Attach handle (G) to the side panel (E) using four $\frac{1}{4}$ " x $\frac{1}{2}$ " bolts (Q) and nuts (S).

6



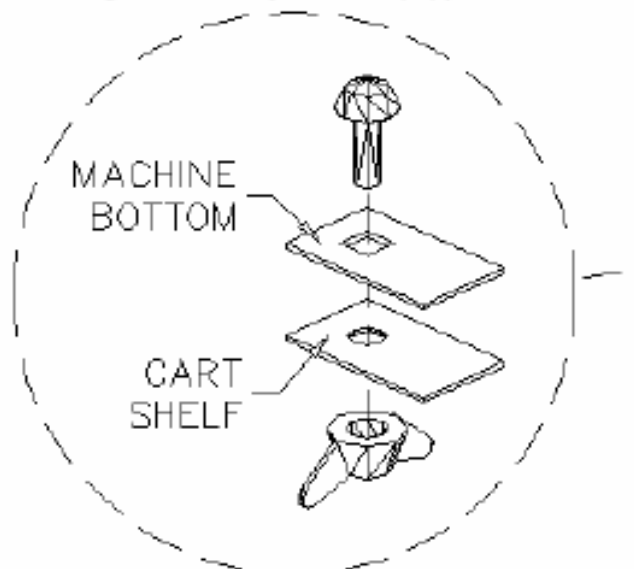
Assembly Instruction

1. Finish attaching the front panel (D) by using 10 of the machine screws (P). Note: the screws will go into the legs.

DO NOT TIGHTEN THE SCREW UNTIL FULLY ASSEMBLE

ATTACHING POPPER TO TROLLEY

1. Place popper on the trolley. The operator side of the popper should align with the open portion of the trolley body.
2. Remove the bottom cleanout tray from the popper.
3. Drop the 4 carriage bolts (T) through the four square holes in the base of the popper. Make sure to align the holes in the top shelf of the trolley with the holes in the base of the popper.
4. Attach four wing-nuts (U) to the ends of the carriage bolts by reaching into the open trolley body. **DO NOT OVERTIGHTEN** as this could cause damage to the trolley shelf and popper base





Three Year Warranty

THE WARRANTY:

Benchmark USA warrants the original purchaser of new food equipment manufactured by Benchmark USA to be free from defects in material or workmanship from the date of the original purchase for a period of three years.

WHO IS COVERED BY THIS WARRANTY:

The original purchaser who has provided proper proof of the original retail purchase and all other requested information.

WHAT IS WARRANTIED:

The obligation of Benchmark USA under this warranty is limited to the replacement of any parts or components that in the opinion of Benchmark USA are defective, F.O.B. the factory, or at any other location that Benchmark USA may designate.

WHAT VOIDS THE WARRANTY:

1. Any piece of equipment that has been installed, operated or maintained inconsistently with Benchmark USA operating instructions.
2. Any part or component that has been modified, changed or altered from its original configuration.
3. Any electrical component that has been damaged due to submergence in any liquid.
4. Any part or component that has been subject to abuse, misuse, neglect or accidents.

EXTENT OF WARRANTY:

Any defective component, part or assembly returned to Benchmark USA will be replaced by Benchmark USA. Benchmark USA will not be responsible for any expenses incurred by the customer under the terms of this warranty, nor shall it be responsible for any damages either consequential, special, contingent, or otherwise; or expenses or injury arising directly or indirectly from the use of a Benchmark USA product. Any component, part or assembly returned to Benchmark USA must be returned at the customers expense along with proof of purchase. Benchmark USA reserves the right to determine whether the terms of this warranty have been properly complied with. In the event that the terms are not complied with, Benchmark USA shall be under no obligation to honor this warranty.